



3-Volt Accessory Power Supply & Power Tap Installation Instructions Covers Part #6588

Kit contents:

- 3-volt accessory power supply
- Electronic speed control (ESC) power tap
- Power tap cover
- 3x10mm button-head cap screws (2)
- 2.6x8mm button-head cap screws (2)

Tools needed:

- 2.0mm hex wrench
- 2.5 mm hex wrench

DO NOT install the power tap on vehicles with dual battery configurations. Incorrect installation of the power tap on the High-Current Connector will cause one of the batteries to short circuit, damage the electronic speed control (ESC), and damage the batteries.



CAUTION

Burn hazard.
Hot wires.
Do not touch.



CAUTION: RISK OF DAMAGE TO BATTERIES!

Do not attach the power tap to the battery connector. Attach to the electronic speed control (ESC) connector only. Always disconnect the battery from the ESC when not in use to prevent the possibility of over-discharge.

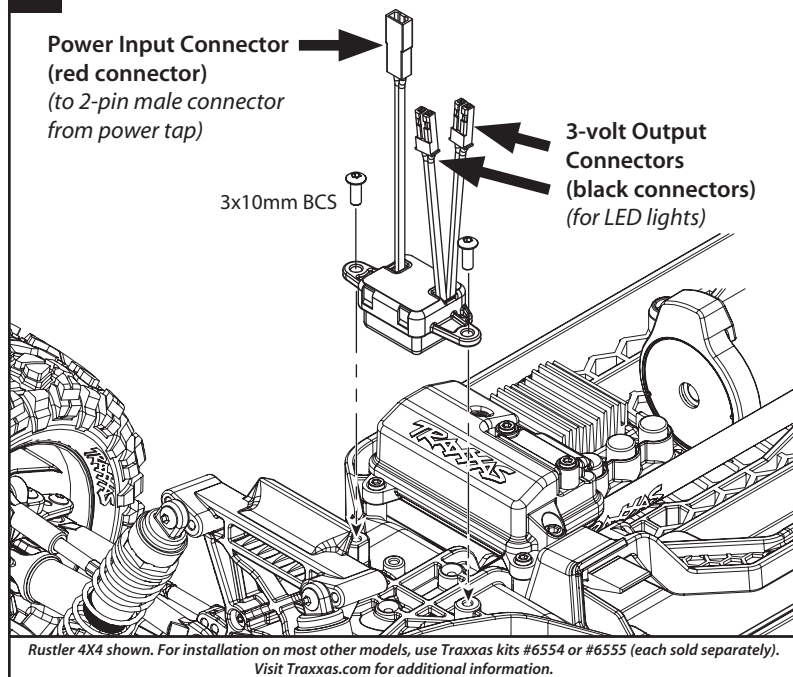
Important Note! Use the included power tap as the direct battery source for the accessory power supply. Do not connect to the accessory BEC power output on the ESC (if equipped). Connecting high-load accessories to the power supply while it is plugged directly into the ESC could overload the speed control's BEC circuit. This may cause the speed control to go into thermal protection mode or could cause damage to the speed control.



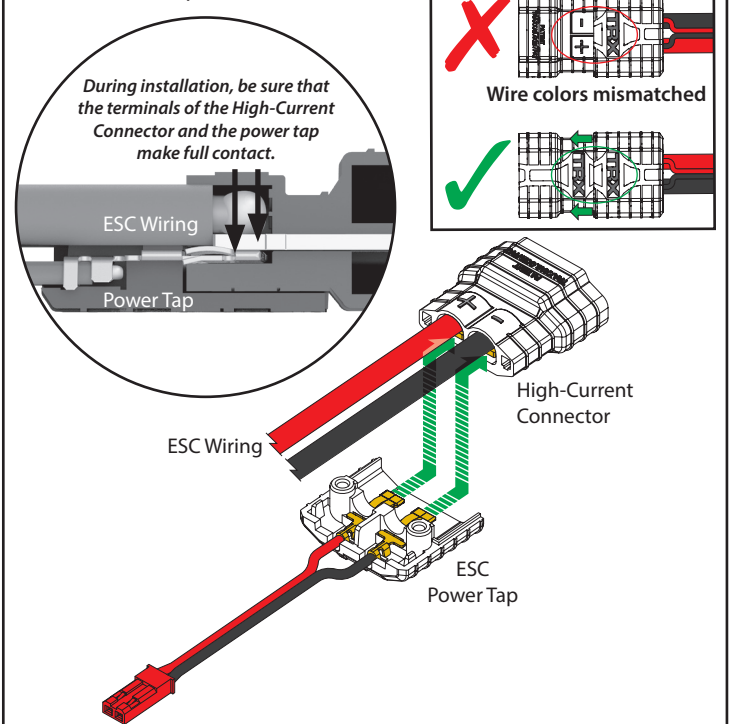
CAUTION: RISK OF DAMAGE TO ACCESSORIES!

Note the polarity and wire color on the pre-installed wires on the power tap. Ensure the polarity is correct during installation on the High-Current Connector: red (+) (positive), black (-) (negative).

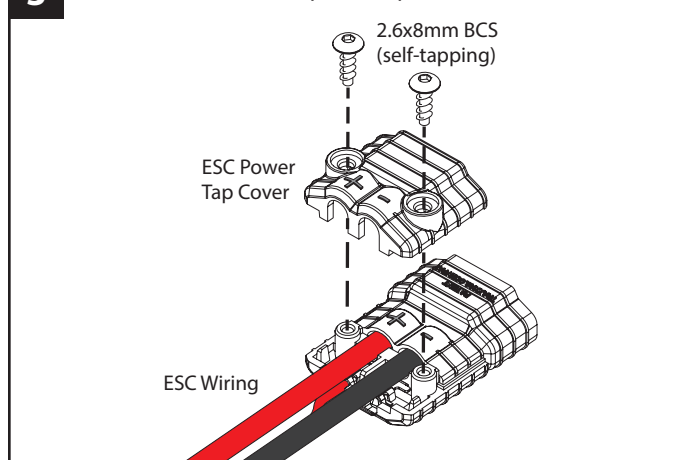
1 Install the accessory power supply on the chassis.



2 Attach the power tap to the High-Current Connector of the electronic speed control (ESC).



3 Install the cover on the power tap.



Technical Specifications

Input Voltage	5.0 - 16.8 volts
Output Voltage	3 volts
Output Wattage	8.4 watts
Number of output connectors	2

Warranty Information

Traxxas electronic components are warranted to be free from defects in materials and workmanship for a period of 30 days from the date of purchase.

Limitations: Any and all warranty coverage does not cover replacement of parts and components damaged by abuse, neglect, improper or unreasonable use, crash damage, water or excessive moisture, chemical damage, improper or infrequent maintenance, accident, unauthorized alteration or modification or items that are considered consumable. Traxxas will not pay for the cost of shipping or transportation of a defective component to us.

Traxxas Lifetime Electronics Warranty

After the expiration date of the warranty period, Traxxas will repair electronic components for a flat rate. Please visit Traxxas.com/support for a current schedule of warranty costs and fees. The covered repairs are limited to non-mechanical components that have NOT been subjected to abuse, misuse, or neglect. Products damaged by intentional abuse, misuse, or neglect may be subject to additional charges. Traxxas liability, in no case, shall be greater than the actual purchase price of this product. For replacement, product must be returned in brand new condition, with packaging and itemized sales receipt.



This device complies with FCC Part 15 & IC RSS-210 rules subject to the following conditions: 1) This device may not cause harmful interference, and 2) This device must accept all interference received, including interference that may cause undesired operation.